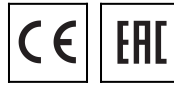
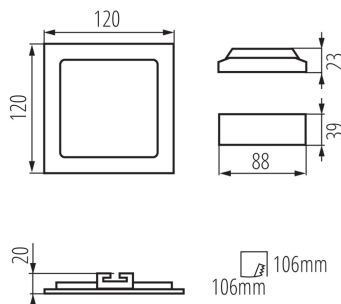


Downlight fitting

5905339272171



Kanlux KATRO V2LED is a new version of KATRO N LED luminaires, popular square downlights for indoor use. They combine aesthetic design with light obtained owing to LED technology. No water or dust can get to the inside owing to the high class of tightness (IP44).

### GENERAL DATA:

**Colour:** nickel satin  
**Place of assembly:** Recessed mount in the ceiling  
**Place of application:** Indoors  
**Minimum distance from the illuminated object:** 0,5m  
**Compatible with a dimmer:** no  
**Replaceable light source:** no  
**The product is not suitable to be covered with a heat-insulating material:** yes  
**Length [mm]:** 120  
**Width [mm]:** 120  
**Height [mm]:** 20  
**Assembly hole [mm]:** 106x106  
**Wire length [m]:** 0.05  
**Integrated LED light source:** yes

### TECHNICAL DATA:

**Rated voltage [V]:** 220-240 AC  
**Rated frequency [Hz]:** 50/60  
**Maximum power [W]:** 6  
**Class of protection against electric shock:** II  
**Lampshade material:** plastic  
**Diode type:** LED SMD  
**Luminous flux [lm]:** 300  
**Colour temperature:** white  
**Colour temperature [K]:** 4000  
**Colour uniformity [SDCM]:** ≤6  
**Colour-rendering index Ra:** ≥80  
**Service life [h]:** 15000  
**Number of on/off cycles:** ≥20000  
**Lighting angle [°]:** 110  
**Luminous efficiency of the lamp [lm/W]:** 50  
**Ambient temperature range to which the product can be exposed:** 5÷25  
**Enclosure material:** aluminum alloy  
**Reflector material:** 0.75  
**Connection type:** Free cable ends  
**Wire diameter [mm<sup>2</sup>]:** 0.75  
**The fixture set includes built-in LED's with the following**

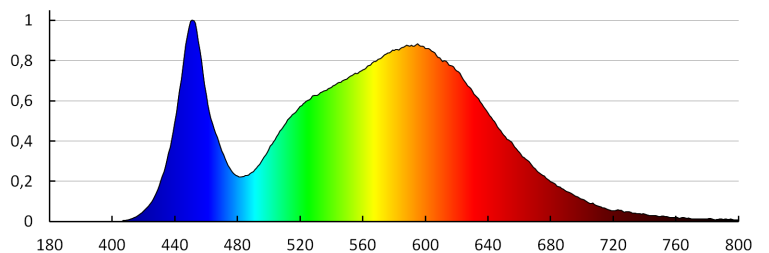
Downlight fitting



**energy classes:** A++,A+,A  
**Lamp-heating time [s]:** ≤1  
**Lamp-ignition time [s]:** ≤0,5  
**IP class:** 44/20

### LOGISTIC DATA:

**Unit of measurement:** unit  
**Packaging method:** 40  
**Number of units in the secondary packaging:** 1  
**Number of units in the packaging:** 40  
**Net unit weight [g]:** 190  
**Grammage [g]:** 251.75  
**Length of a unit pack [cm]:** 30.5  
**Width of a unit pack [cm]:** 3  
**Height of a unit pack [cm]:** 34  
**Weight of a cardboard box [kg]:** 10.07  
**Width of a cardboard box [cm]:** 34  
**Height of a cardboard box [cm]:** 28.5  
**Length of a cardboard box [cm]:** 40  
**Volume of a cardboard box [m<sup>3</sup>]:** 0.03876



KANLUX S.A. (kat 27217) KATRO V2LED6W-NW-SN / LDC (Polar)

Luminaire: KANLUX S.A. (kat 27217) KATRO V2LED6W-NW-SN  
Lamps: 1 x KATRO V2LED6W-NW-SN

