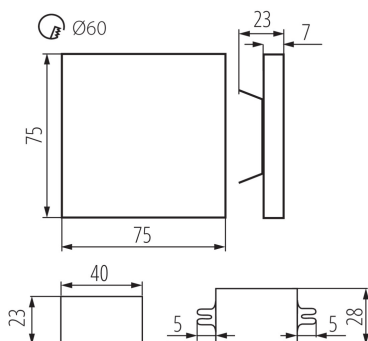
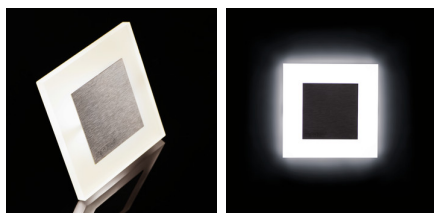


Staircase LED light fitting

5905339238009



Kanlux APUS means modern design combined with an attractive effect of lighting. It is a perfect idea to highlight stairs and corridors or to emphasize decor of rooms. The unique structure of the holders ensures even emission of light. The AC version is equipped with 230V power supply unit which fits into a box and the PIR version is equipped with a motion sensor. The sensor detects movement / turns lights on regardless of the ambient light intensity.

GENERAL DATA:

To be built into the wall: yes

Colour: stainless steel

Place of assembly: Recessed mount in the wall

Place of application: Indoors

Minimum distance from the illuminated object: 0,1m

Compatible with a dimmer: no

Replaceable light source: no

Feeder included: yes

Length [mm]: 75

Width [mm]: 23

Height [mm]: 75

Wire length [m]: 0.18

Required diameter of the assembly box [Ømm]: 60

Assembly-hole dimensions [mm]: 60

Integrated LED light source: yes

TECHNICAL DATA:

Rated voltage [V]: 220-240 AC

Rated frequency [Hz]: 50/60

Maximum power [W]: 1.3

Class of protection against electric shock: II

Diode type: LED SMD

Luminous flux [lm]: 13

Colour temperature: Warm white

Colour temperature [K]: 3000

Colour uniformity [SDCM]: ≤6

Colour-rendering index Ra: ≥80

Service life [h]: 50000

Number of on/off cycles: ≥20000

Luminous efficiency of the lamp [lm/W]: 10

Ambient temperature range to which the product can be exposed: 5÷25

Enclosure material: polished stainless steel, plastic

Connection type: Free cable ends

The fixture set includes built-in LED's with the following

Staircase LED light fitting



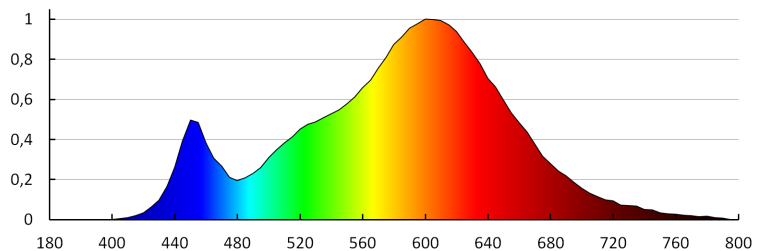
energy classes: A++,A+,A
Lamp-heating time [s]: ≤1
Lamp-ignition time [s]: ≤0,5
IP class: 20

LOGISTIC DATA:

Unit of measurement: unit
Packaging method: 100
Number of units in the secondary packaging: 1
Number of units in the packaging: 100
Net unit weight [g]: 120
Grammage [g]: 124.9
Length of a unit pack [cm]: 11
Width of a unit pack [cm]: 2.5
Height of a unit pack [cm]: 16.5
Weight of a cardboard box [kg]: 12.49
Width of a cardboard box [cm]: 34.5
Height of a cardboard box [cm]: 34.5
Length of a cardboard box [cm]: 63
Volume of a cardboard box [m³]: 0.074986

ADDITIONAL INFORMATION:

- the fitting is suitable for mounting in Ø 60 junction boxes.
- fitting delivered with a power supply unit fit for Ø 60 junction box, enabling powering from grids with voltage of 220-240 V



KANLUX S.A. (kat 23800) APUS LED AC-WW / LDC (Polar)

Luminaire: KANLUX S.A. (kat 23800) APUS LED AC-WW
Lamps: 1 x APUS LED WW

