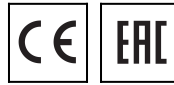
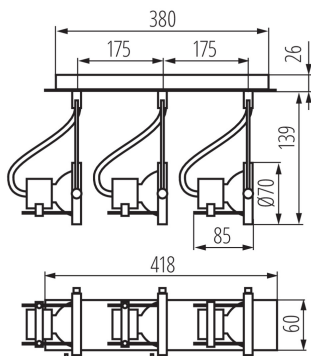


Wall & ceiling lighting fitting

5905339047977



DESIGN
unique



The Kanlux SONDA futuristic lamp in an untypical shape is mainly ideal for interiors arranged in the modern style. Made of steel in its entirety will become an expressive ornament of each room. The reflector can be positioned freely, directing light into a desirable place.

GENERAL DATA:

Colour: chrome matte

Place of assembly: do nadbudowania na ścianie|do nadbudowania na suficie

Place of application: Indoors

Minimum distance from the illuminated object: 0,5m

Replaceable light source: yes

Light source included: no

Length [mm]: 418

Width [mm]: 60

Height [mm]: 165

TECHNICAL DATA:

Rated voltage [V]: 220-240 AC

Rated frequency [Hz]: 50/60

Maximum power [W]: 3 x max 50

Class of protection against electric shock: I

Light source: PAR16

Cap: GU10

Ambient temperature range to which the product can be exposed: 5÷25

The fixture is adapted to the light sources of the following energy classes: A++,A+,A,B,C,D,E

Enclosure material: steel

Connection type: Bolt terminal block

Range of sections of wires used [mm²]: 1÷2,5

The fixture is movable horizontally [°]: 320

The fixture is movable vertically [°]: 90

IP class: 20

LOGISTIC DATA:

Unit of measurement: unit

Packaging method: 6

Number of units in the secondary packaging: 1

Number of units in the packaging: 6

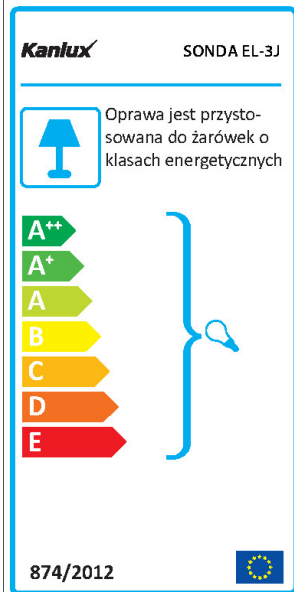
Net unit weight [g]: 1062

Grammage [g]: 1333.33

Length of a unit pack [cm]: 14.5

Width of a unit pack [cm]: 7.5

Wall & ceiling lighting fitting



Height of a unit pack [cm]: 50.5
Weight of a cardboard box [kg]: 7.99998
Width of a cardboard box [cm]: 24.5
Height of a cardboard box [cm]: 31
Length of a cardboard box [cm] : 52.5
Volume of a cardboard box [m³]: 0.039874

