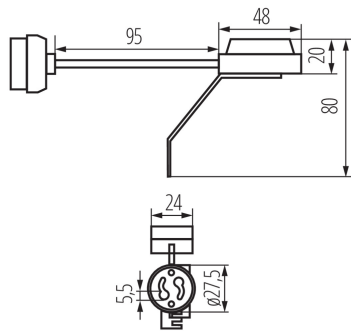


Light source fitting

5905339723697



### GENERAL DATA:

**Colour:** grey

### TECHNICAL DATA:

**Rated voltage [V]:** 250 AC

**Rated current [A]:** 2

**Rated frequency [Hz]:** 50/60

**Cap:** GU10

**Connection type:** Terminal block

**Type:** GU10

**Maximum operating temperature [°C]:** 250

**IP class:** 00

### LOGISTIC DATA:

**Unit of measurement:** unit

**Packaging method:** 200

**Number of units in the packaging:** 200

**Net unit weight [g]:** 54

**Grammage [g]:** 58.5

**Length of a unit pack [cm]:** 10

**Width of a unit pack [cm]:** 2.5

**Height of a unit pack [cm]:** 12

**Weight of a cardboard box [kg]:** 11.7

**Width of a cardboard box [cm]:** 37

**Height of a cardboard box [cm]:** 20

**Length of a cardboard box [cm]:** 50

**Volume of a cardboard box [m³]:** 0.037

### ADDITIONAL INFORMATION:

- Maximum permissible holder temperature 250°C for BR-GZ10, HLDR-GZ10, HLDR-R7S, for other models – 180°C
- Maximum permissible current for BR-GZ10, HLDR-GZ10, HLDR-G9 – 2A, for HLDR-R7S – 6A, for HLDR-GX5.3 – 5A
- BR-GZ10 equipped with a support